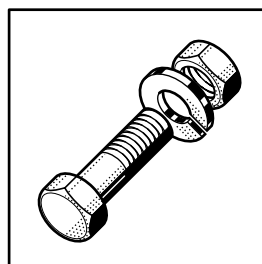
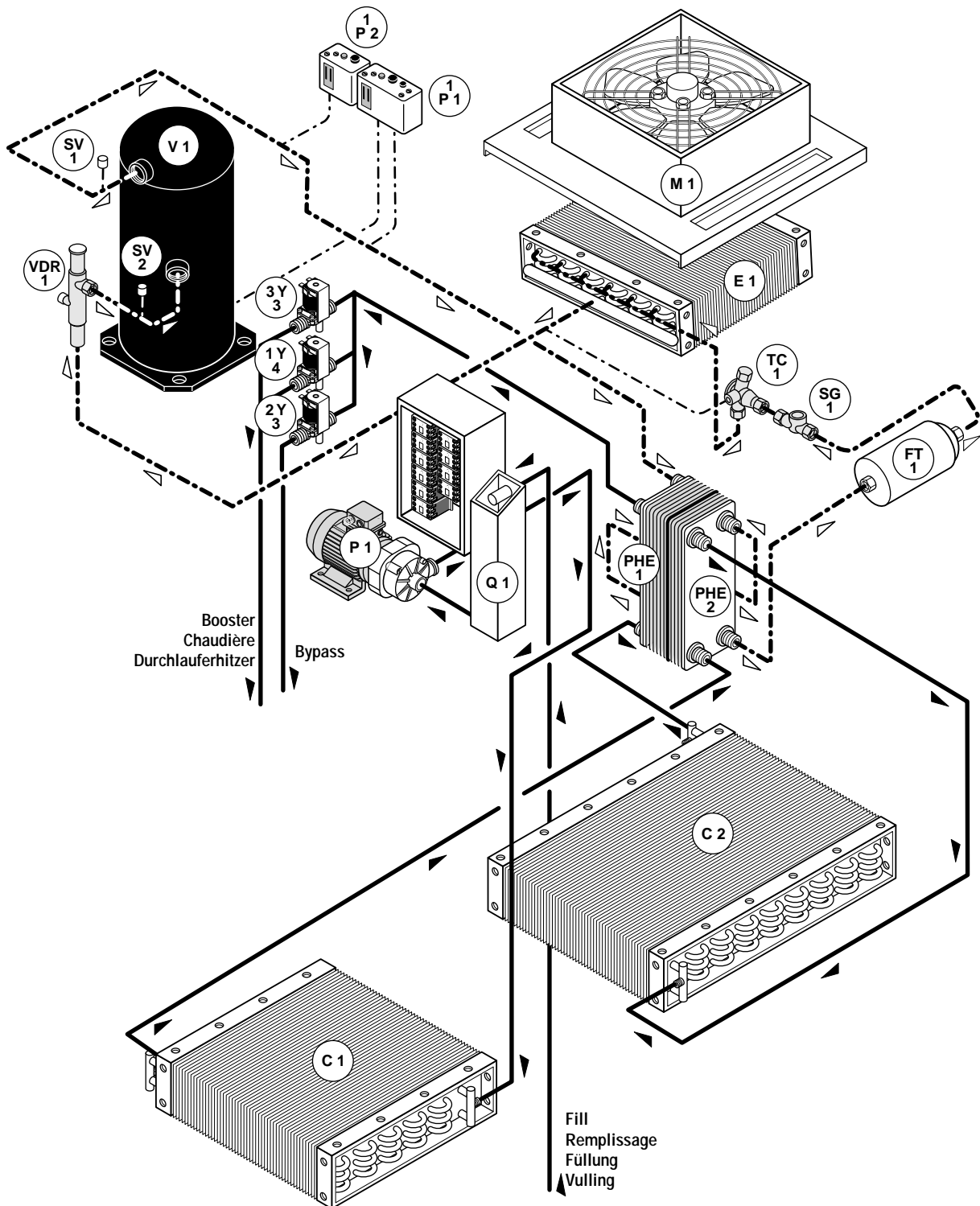




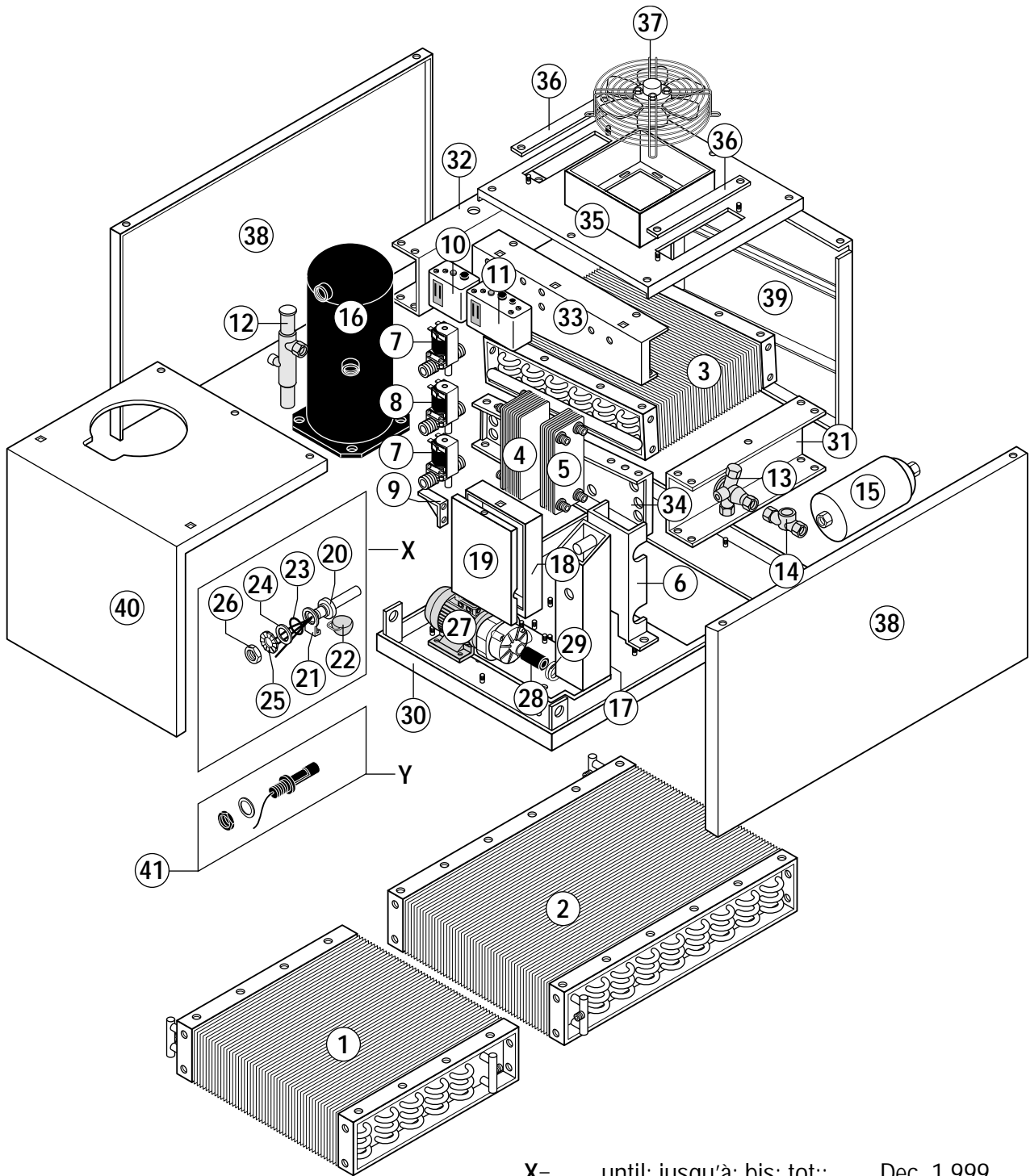
CR-HEAT PUMP

Spare Parts
Pièces Détachées
Ersatzteile
Onderdelen



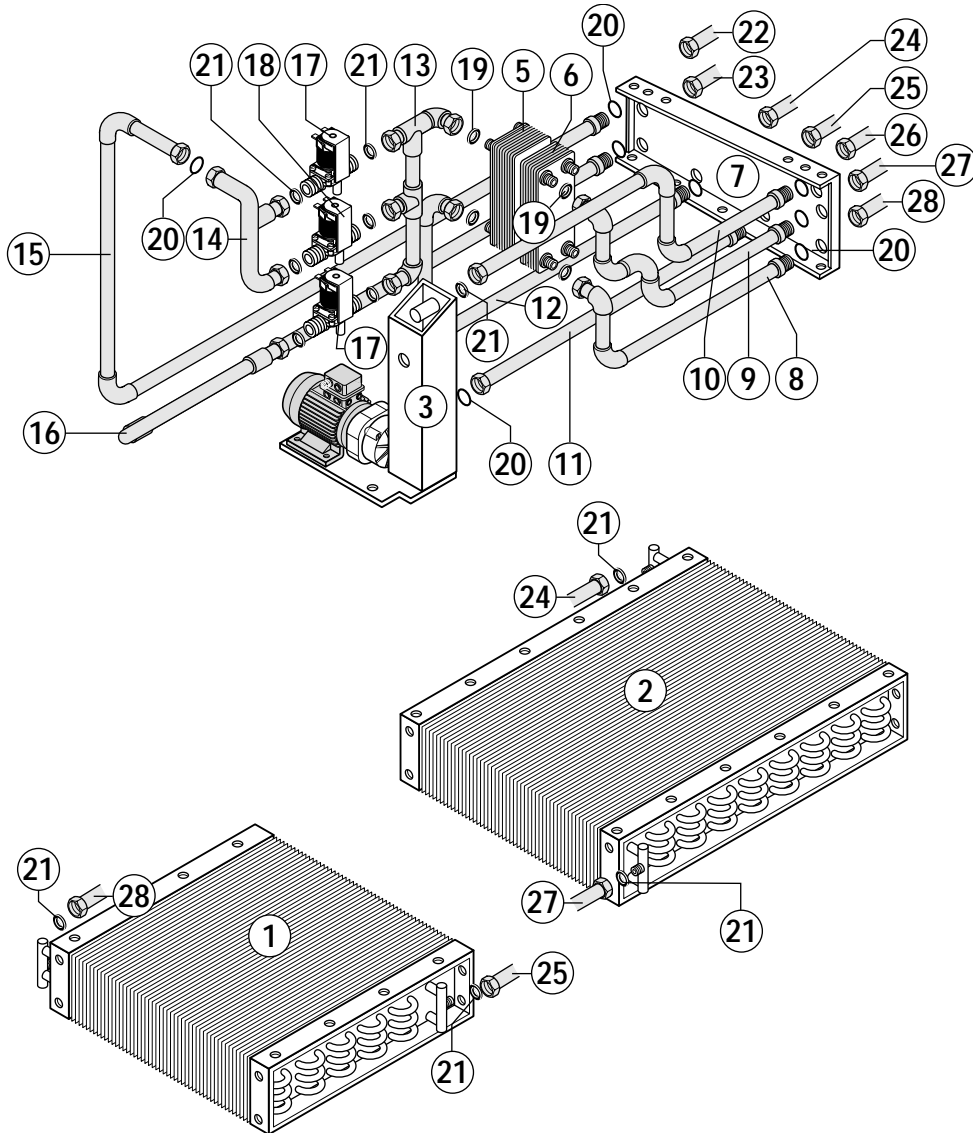


- ▶ water circulation / circuit d'eau / Wasserkreislauf / water circulatie
- - -▶ refrigerant circulation / circuit de frigène / Kältemittelkreislauf / koelmiddel circulatie
- - - - - pressostat line / ligne de pressostat / Pressostatleitung / pressostat leiding



X= until; jusqu'à; bis; tot; Dec. 1 999
 Y= since; depuis; seit; sinds; Jan. 2 000

Pos.	L/R G/D	R/L D/G	Specifications / Spécification / Angaben / Opgaven
1	323385-2	=	
	323385-4	=	sst; inox; CrNi
2	323385-1	=	
	323385-3	=	sst; inox; CrNi
3	323435	=	
4	323456-2	=	
5	323456-1	=	
6	781193-1	=	
7	846481-3	=	
8	846481-2	=	
9	781340-1	=	
10	323448	=	
11	323449	=	
12	323492	=	
13	323439-1	=	
	323439-3	=	nozzle; gicleur; Düse; sproeier
14	323444	=	
15	323443	=	
16	323437-1	=	
17	781190-1	=	
18	781191-1	=	
19	781177-1	=	
20	226282	=	
21	112467	=	
22	122674	=	
23	168611-21	=	
24	602292	=	
25	602316	=	
26	602476	=	
27	774908-1	=	
28	324264	=	
29	325757-1	=	
30	781195-1	=	
31	781192-1	=	
32	781174-1	=	
33	781173-1	=	
34	781172-1	=	
35	781194-1	=	
36	781180-1	=	
37	781492-...	=	see wiring diagram; voir schéma de câblage; siehe Schaltplan; zie elektrisch schema
38	781187-1	=	
39	781198-1	=	
40	781182-1	=	
41	735171-1	=	



Pos.	L/R G/D	R/L D/G	Specifications / Spécification / Angaben / Opgaven
1	323385-2	=	
	323385-4	=	sst; inox; CrNi
2	323385-1	=	
	323385-3	=	sst; inox; CrNi
3	781190-1	=	
4	774908-1	=	
5	323456-2	=	
6	323456-1	=	
7	781172-1	=	
8	781469-1	=	
9	781470-1	=	
10	781468-1	=	
11	781467-1	=	
12	781471-1	=	
13	781473-1	=	
14	781474-1	=	
15	781471-2	=	
16	781472-1	=	
17	846481-3	=	
18	846481-2	=	
19	168611-3	=	
20	67500-72	=	
21	168611-9	=	
22	781371-3	781455-3	A Bypass in drain; Bypass vers vidange; Bypass in Ablauf; Bypass naar afvoer
	781372-1	781430-1	A / EA Bypass in wash; Bypass vers lavage; Bypass in Waschung; Bypass naar wasing
	781372-2	781431-1	LA / SA Bypass in wash; Bypass vers lavage; Bypass in Waschung; Bypass naar wasing
	781371-3	781455-3	EA / LA / SA Bypass in prewash; Bypass vers pré-lavage; Bypass in Vorwaschung; Bypass naar wasing
23	781372-2	781430-2	A Bypass in drain; Bypass vers vidange; Bypass in Ablauf; Bypass naar afvoer
	781371-1	781455-1	A / EA / LA / SA Bypass in wash; Bypass vers lavage; Bypass in Waschung; Bypass naar wasing
	781372-2	781430-2	EA Bypass in prewash; Bypass vers pré-lavage; Bypass in Vorwaschung; Bypass naar wasing
	781371-3	781455-2	LA / SA Bypass in prewash; Bypass vers pré-lavage; Bypass in Vorwaschung; Bypass naar wasing
24	781366-1	781425-1	
25	781369-1	781422-1	A; EA
	781427-1	781429-1	LA; SA
26	781370-1	781424-1	A; EA
	781428-1	781424-2	LA; SA
27	781367-1	781423-1	
28	781368-1	781426-1	A; EA
	781368-2	781426-2	LA; SA